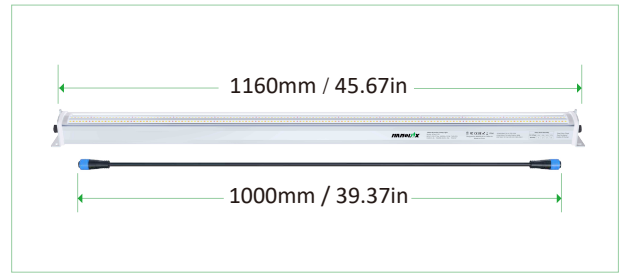


LEDex-F135W

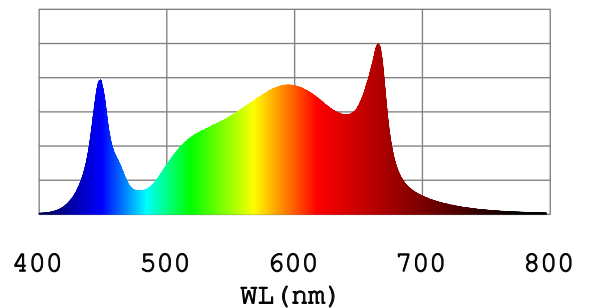
- ✔ BOOST YOUR YIELDS
- ✔ FILL IN THE CANOPY GAPS
- ✔ ADVANCED ASSESSMENT
- ✔ BEING CARBON-FREE
- ✔ ELEVATE THE OVERALL QUALITY



Features

- Elevate your cultivation by illuminating the typically neglected under-canopy area. Our progressive lights delve deep into the plant canopy, sparking growth in lower bud sites and fostering vigorous development from top to bottom.
- Witness striking increases in yield and harvest excellence. Our under-canopy lights offer the optimal balance of spectrum, intensity and coverage. Make sure we treat every bud with nice care.
- Our scientifically designed solutions are backed by expert research. We have carefully tailored the spectrum to optimize the production of cannabinoids and terpenes, yielding potent, fragrant and highly sought-after strains.
- Our under-canopy lights remain committed to sustainability. The energy-efficient design not only saves on power consumption but also paves the way for lasting success. Say goodbye to energy wastage while hello to the maximizing performance.

Spectrum SQD





Horticultural Lighting
If Nanolux doesn't make it
You don't need it

Specifications

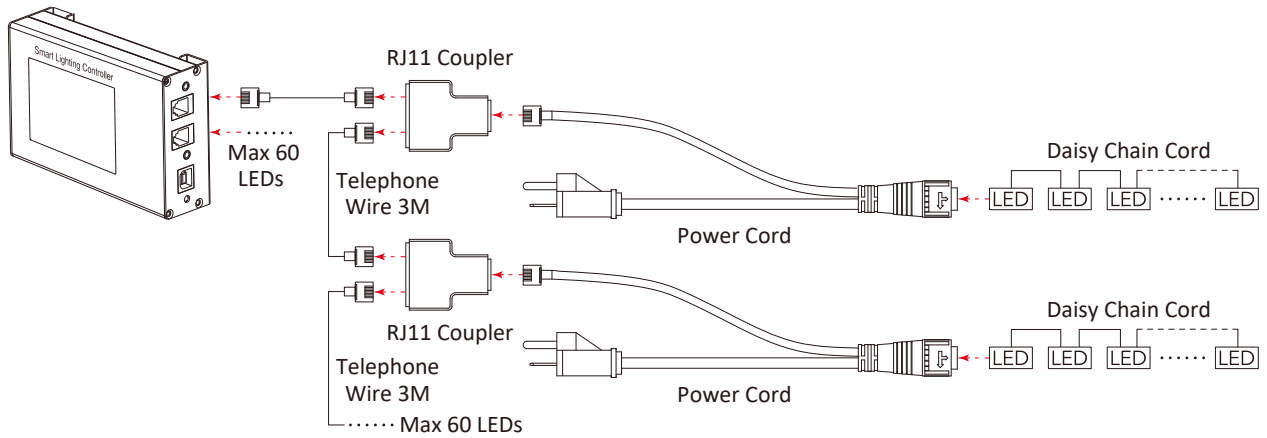
Product Model	LEDex-F135		
Product code	US:80.01.0405 / EU:80.01.0406		
Light output PPF	370 μ mol/s		
Efficiency	2.70 μ mol/J		
Dimming	0-10V		
Input power	135W		
Input voltage	AC 120V-277V		
Input frequency	50/60Hz		
Light distribution	150°		
Operating temperature	0°C~35°C		
Operating humidity	0~95%		
Thermal management	Passive		
Power factor	≥ 0.97		
Total harmonic distortion	$\leq 15\%$		
Requirement of installment	Comply with ETL/CE/FCC/DLC certificate		
Lifetime L90	$\geq 50,000$ hrs		
IP rating	IP66		
Product dimensions	1160*67*67mm / 45.67*2.64*2.64in	Adapter cable	1000mm/39.37in
Product weight	3.0 KG / 6.6LBS		
Packaging method	4PCS/Carton (LED fixture with Driver)		
Packing dimensions	1195*160*165mm / 47.0*6.3*6.5in		
Gross weight	14.5 KG / 32.0 LBS		
Loading Quantity	20GP:836 Cartons 40HQ:2160 Cartons		
Warranty	1 year standard warranty		
Region applied	USA, Canada, Australia, EU, Russia, etc.		
Industry application	Greenhouse, indoor grow room, tent		

Nominal Electrical Ac Input*

AC Voltage	120V	208V	220V	230V	240V	277V
AC Current	1.16A	0.65A	0.62A	0.59A	0.57A	0.49A
AC Power	140W	137W	137W	136W	136W	135W
Power Factor	0.99	0.99	0.99	0.98	0.98	0.97

* At 25°C (77°F) Ambient Temperature

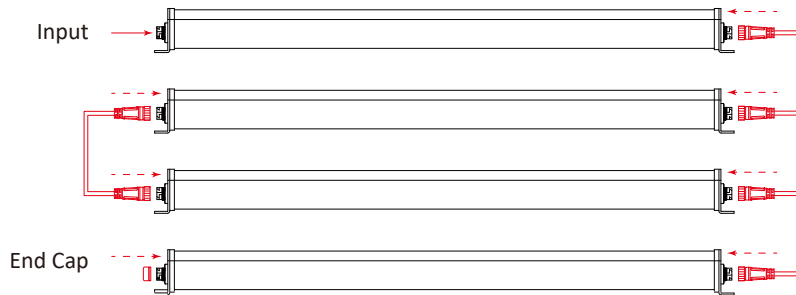
Dimming Function



Daisy Chain Quantity

Daisy chain cord : Max. 10A, 16AWG*3

AC Voltage	120V	208V	220V	230V	240V	277V
Quantity	8	13	14	14	15	18



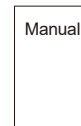
Accessories



Daisy Chain Cord 39.37in

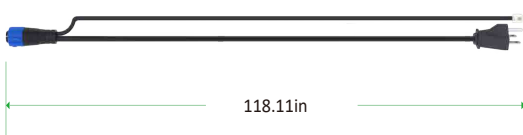


End Cap



Operating Manual

Accessories(Optional)



Input Power Cord
(US120V/240V/277V EU220V-240V UK230V AU230V)



RJ11 Coupler



Telephone Wire



Tripod Stand