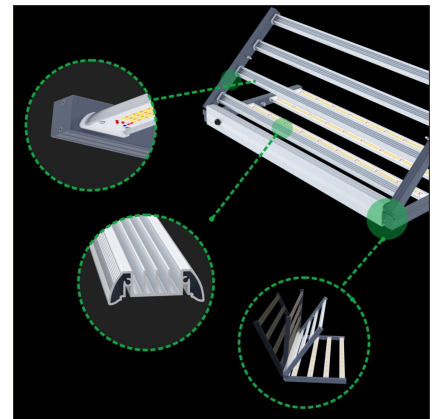
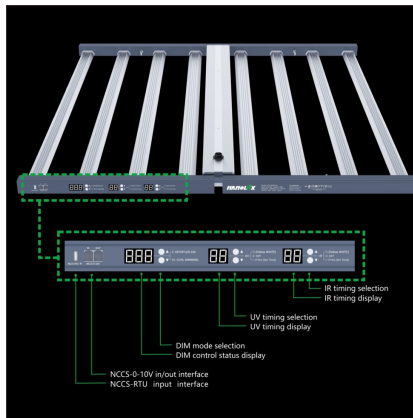
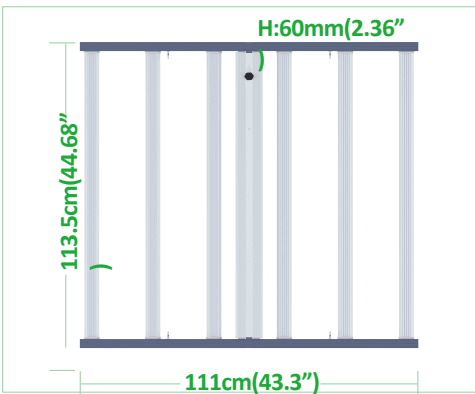




- ✓ Full spectrum/ UV/ IR can be controlled separately
- ✓ Tailored preset spectrum can better promote plant growth
- ✓ Foldable for easy handling
- ✓ Wide input voltage 120V-277V NCCS-
- ✓ RTU&0-10V control
- ✓ IP65 water resistant

# LED SN630 Pro



## Nominal Electrical Ac Input\*

## UV/IR Separated Control

UV facilitates photosynthesis & IR flowering

Unique Design chip enhances circuit protection & anti-static interference

PPFD(umol/m <sup>2</sup> /s)--- Height 30cm(12")							
362	444	488	499	495	479	443	348
593	736	779	774	763	765	731	560
734	895	933	937	937	929	861	673
787	970	1017	1011	1014	1009	930	743
768	990	1048	1042	1046	1040	952	757
730	899	941	916	928	935	854	754
616	735	732	758	773	737	713	577
409	473	505	495	481	498	463	343

PPFD(umol/m <sup>2</sup> /s)--- Height 60cm(24")							
299	364	399	419	426	396	351	294
383	468	517	534	539	512	459	375
448	542	601	629	626	596	537	439
477	581	643	670	665	635	571	470
470	578	637	659	655	627	564	460
442	529	588	610	603	577	518	428
379	457	504	517	513	491	440	367
297	350	391	405	402	383	344	282



## Specifications

Product Model	LED SN630 Pro
Product code	80.01.0346
Input power	630W
Dimming	30%~100%
Input voltage	AC 120V-277V
Light output PPF	1830 $\mu\text{mol/s}$
Efficiency	2.90 $\mu\text{mol/J}$
Input frequency	50/60Hz
Light distribution	120°
Mounting height	8" - 24" (20-60cm) above canopy
Operating temperature	0°C~35°C
Operating humidity	0~95%
Power factor	$\geq 0.97$
Total harmonic distortion	< 15%
Requirement of installment	Comply with ETL/CE/EAC certificate
Lifetime L90	> 50,000hrs
IP rating	IP65
Product dimensions	1135x1110x60mm
Product weight	8.2KG
Packing dimensions	1160x140x620mm
Gross weight	11.8KG
AU & NZ Warranty	2 years extended warranty (1 year standard + 1 year limited)
Loading Quantity	20GP: 294 Cartons 40HQ: 692 Cartons 40GP: 614 Cartons

## Nominal Electrical Ac Input\*

AC VOLTAGE	120V	208V	220V	240V	277V
AC Current	5.40A	3.07A	2.88A	2.63A	2.27A
AC Power	648W	638W	635W	633W	630W
Power Factor	0.99	0.99	0.99	0.98	0.98

\* At 25°C (77°F) Ambient Temperature

## 4 kind of spectrum available

