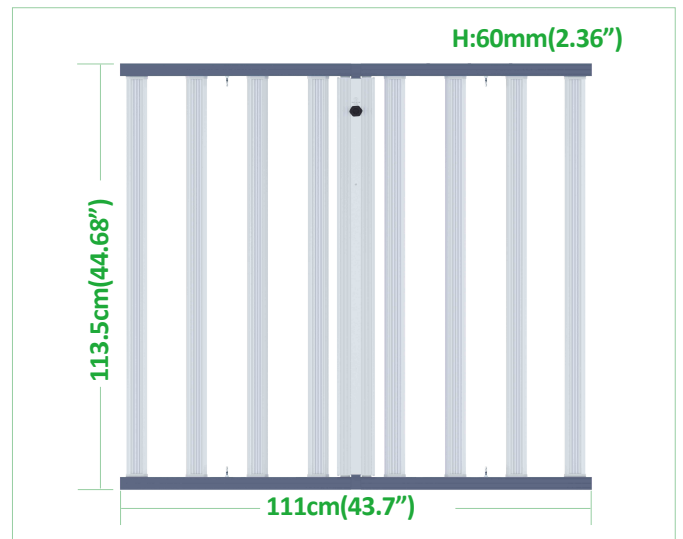


LED SN860 X7

- ✓ **Function integration, 3D penetrating fill light**
- ✓ **8 spectrum combinations, flexible and free.**
- ✓ **4 dimming control modes, easy to adjust.**
- ✓ **Create your own height and density.**



Features

• **Function integration, 3D penetrating fill light:**

Nanolux Interlight LED makes your lighting solution three-dimensional and uniform, delivers supplemental light for plants from all directions and angles, boosts plant development efficiency and productivity, and allows you to reap the advantages of more plantings sooner.

• **8 spectrum combinations, flexible and free:**

The top full-spectrum/UV/IR, red and blue light between plants, the whole machine can achieve eight spectrum combination configurations. Flexible setup to better satisfy the supplemental light requirements of various crops and growth stages.

• **4 dimming control modes, easy to adjust:**

The NCCS-RTU (Wifi) can achieve 1% precise dimming. NCCS 0-10V, RS485, manual control of UV & IR irradiation duration, multiple dimming methods to tailor the production environment for plants.

• **Create your own height and density :**

Based on the real conditions, Nanolux Interlight LED can simply modify the top and lower heights of 100-1500mm and the left and right density of 100mm.

Specifications

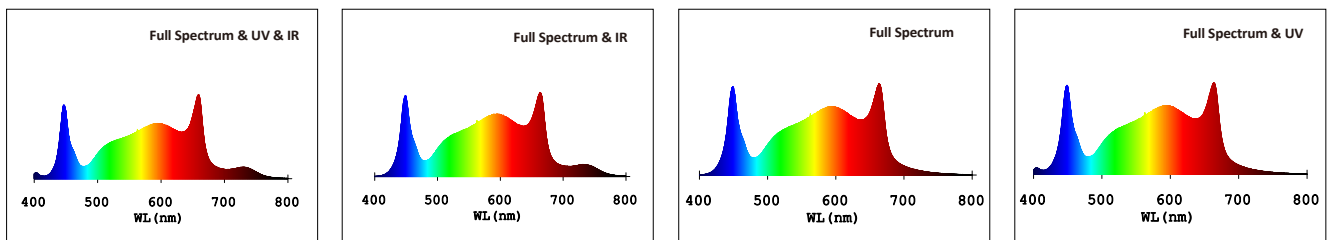
Product model	LED SN860 Pro
Product code	80.01.0394
Input power	860 W
Dimming	0-10V, RS485, RTU
Input voltage	AC 120V-277V
Light output PPF	2500 $\mu\text{mol/s}$
Efficiency	2.90 $\mu\text{mol/J}$
Input frequency	50/60Hz
Light distribution	120°
Mounting height	8" - 24" (20-60cm) above canopy
Operating temperature	0°C~35°C
Operating humidity	0~95%
Power factor	≥ 0.97
Total harmonic distortion	$\leq 15\%$
Requirement of installment	Comply with ETL/CE/EAC/UKCA/FCC/DLC/ROHS certificate
Lifetime L90	> 50,000hrs
IP rating	IP66
Product dimensions	1135x1110x60mm
Product weight	10.2KG
Packing dimensions	1160x140x620mm
Gross weight	13.3KG
Loading quantity	20GP: 288 Cartons 40HQ: 684 Cartons

AC Input*

AC voltage	120V	208V	220V	240V	277V
AC current	7.40A	4.20A	3.90A	3.60A	3.10A
AC power	880W	865W	862W	860W	859W
Power factor	0.99	0.98	0.97	0.98	0.97

* At 25°C (77°F) Ambient Temperature

Spectrum Option



Interlight LED Specifications (Can only be used with SN860 X7)

Product model	LED SN860 Pro
Product code	80.03.0486
Input power	20 W
Input voltage	DC 48V-58V
Light output PPF	60 $\mu\text{mol/s}$
Efficiency	3.0 $\mu\text{mol/J}$
Light distribution	360°
Mounting height	4"- 59" (10-150cm) above canopy
Operating temperature	0°C~35°C
Operating humidity	0~95%
Power factor	$\cong 0.97$
Total harmonic distortion	$\cong 15\%$
Requirement of installment	Comply with ETL/CE/EAC/UKCA/FCC/DLC/ROHS certificate
Lifetime L90	> 50,000hrs
IP rating	IP65
Product dimensions	1180x65x45mm(2PCS)
Product weight	1.1 KG
Packing dimensions	1195x210x205mm(24PCS)
Gross weight	14.7 KG
Loading Quantity	20GP: 524 Cartons 40HQ: 1320 Cartons

* Optional 1-4 Interlight LEDs for matching use

Spectrum Option

